



2.4 GHz 17 dBi 120 Degree Sector Panel Wireless LAN Antenna

Model: HG2417P-120



Description

Superior Performance

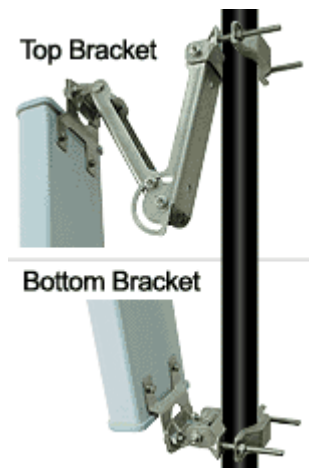
The HyperGain® HG2417P-120 Sector Panel WiFi Antenna combines high gain with a wide 120° beam-width. It is a professional quality "cell site" antenna designed primarily for service providers in the 2.4GHz ISM band. Applications include IEEE 802.11b and 802.11g wireless LAN systems.

Rugged and Weatherproof

This antenna features a heavy-duty plastic radome for all-weather operation. The mounting system adjusts from 0 to 20 degrees downtilt.

Ideal for Wireless Internet "Cell" Sites

This WiFi antenna is an ideal choice for Wireless Internet Provider "cell" sites since the cell size can be easily determined by adjusting the down-tilt angle. Horizontal coverage is a full 120 degrees.





Model: HG2417P-120

Specifications

Electrical Specifications

Frequency	2400-2500 MHz
Gain	17 dBi
Horizontal Beam Width	120 degrees
Vertical Beam Width	+/- 6.5°
Impedance	50 Ohm
Max. Input Power	250 Watts
VSWR	< 1.3:1 avg.
Connector	N Female
Lightning Protection	Direct Ground

Mechanical Specifications

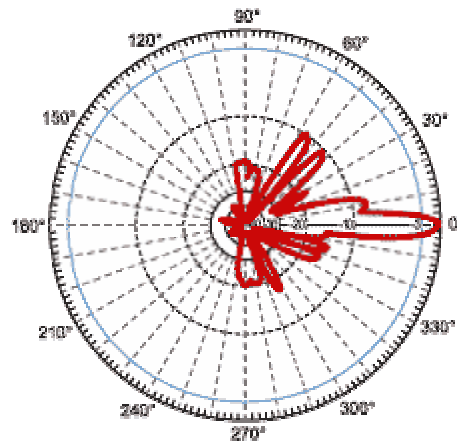
Weight	10 lbs. (4.54 Kg)
Dimensions	39 x 6 x 2.5 inches (99 x 15.3 x 6.4 cm)
Radome Material	UV-Inhibited Polymer
Operating Temperature	-40° C to to 85° C (-40° F to 185° F)
Mounting	2 inch (5 cm) O.D. pipe max.
Polarization	Vertical
Downtilt (mech)	0 to 20 degrees (adjustable)

Wind Loading Data

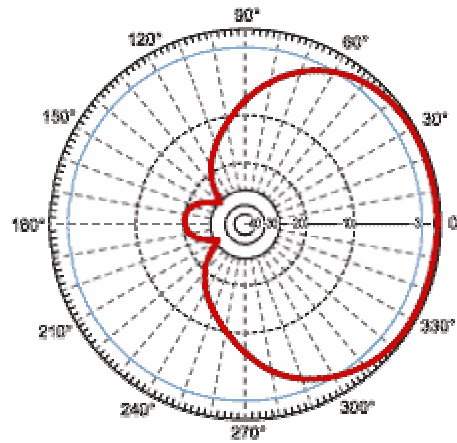
Wind Loading	Front Surface	Side Surface
Area	1.63 sq. ft. (.15 sq. meters)	0.68 (.06 sq. meters)
@ 100 MPH (161 KPH)	74 lbs. (33.5 Kg)	35 lbs.(15.8 Kg)



RF Antenna Gain Patterns



Vertical



Horizontal