

11 Watt Interchangeable Plug Series PSA11R Adapter



PHIHONG USA - Fremont

Tel: 1-510-445-0100
Fax: 1-510-445-1678

E-mail: usasales@phihongusa.com
www.phihong.com

PHIHONG Taiwan - Taipei:

Tel: 886-2-29882126
886-2-29805255
Fax: 886-2-29817086
886-2-29833222

E-mail: [pfsales@phihong.com.tw](mailto:phsales@phihong.com.tw)
www.phihong.com.tw

PHIHONG China - Tianjin:

Tel: 86-22-66880040
Fax: 86-22-66880038

E-mail: eva_liu@phihong.com.tw

PHIHONG Japan - Tokyo:

Tel: 81-3-5447-5001
Fax: 81-3-5447-5002

PHIHONG Europe - Glasgow, UK:

Tel: 44-1698-816773
Fax: 44-1698-802290

E-mail: iaian@mariam.co.uk

PHIHONG Brazil - Minas Gerais:

Tel: 55-35-34715566
Fax: 55-35-34713577

E-mail:

commercial@phihong-pwm.com.br
www.phihong-pwm.com.br

Features

- Double Insulated
- Class B EMI
- 5% NL-FL Regulation
- Field Changeable AC Plugs
- Power On LED

Applications

- Wireless Communications
- Portable Equipment
- Digital Camera
- Peripherals
- Networking

Safety Approvals

- cUL 1950 Class II
- DEMKO
- CE
- AS/NZS 3260 & 4417
- PSE (<15V)

Mechanical Characteristics

- Dimensions: • Length: 86mm (3.4in) • Height: 36mm (1.4in)
• Width: 53mm (2.1in) • Weight: 120gm (4oz)

Output Specifications

Model	DC Output Voltage	Load		Ripple(1) P-P (max)	Regulation(2)	
		Min.	Max.		Line	Load
PSA11R-033	3.3V	0A	2.0A	50mV	±1%	±5%
PSA11R-050	5.0V	0A	2.0A	50mV	±1%	±5%
PSA11R-090	9.0V	0A	1.1A	90mV	±1%	±5%
PSA11R-120	12V	0A	0.83A	120mV	±1%	±5%
PSA11R-150	15V	0A	0.67A	150mV	±1%	±5%
PSA11R-180	18V	0A	0.56A	180mV	±1%	±5%
PSA11R-240	24V	0A	0.42A	240mV	±1%	±5%

Clip ordered separately. US Plug: RPA; UK Plug: RPK; Europe Plug: RPE; Australia Plug: RPS; All 4 Plugs: RPKit.

(1) Measured at full load by using a 12 inch twisted pair terminated with a 10mfd capacitor and a 0.1mfd ceramic in parallel.

(2) No load to Full Load, 1.8 meter (6ft) DC cord, measured at the plug.

(3) To receive product with PSE logo, please specify on purchase order, special handling required during manufacturing.

INPUT:**AC Input Voltage**

90 to 264 VAC

AC Input Frequency

47 to 63Hz

AC Input Current

0.5Arms (120VAC)

0.25Arms (240VAC)

AC Inrush Current (Cold)

30A max. (120VAC)

60A max. (240VAC)

Efficiency

65% Typical

OUTPUT:**Hold-up Time**

16ms Full load, 115VAC

Overvoltage Protection

>120%

Overcurrent Protection

>120%, Auto Restart

ENVIRONMENTAL:**Operation Temperature
(Convection)**

0 to 50°C

**Storage Temperature
(Convection)**

-25 to +85°C

Humidity

10 to 90% RH (Non-condensing)

Emissions

FCC Class B

EN 55022 B

Immunity

EN 50082-1: 1997

61000-4-2, Level 3

61000-4-3, Level 2

61000-4-4, Level 2

61000-4-5, Level 3

61000-4-6, Level 2

61000-4-11

GENERAL:**Leakage Current**

<0.25mA (254VAC)

Dielectric Withstand (Hipot)

Input to Output

3000VAC, 1 min., 10mA

Switching Frequency

100KHz (typical)

MTBF (Full Load, 25°C)

150K Hrs.

MIL-HDBK-217F

Power On Indicator

Green LED

AC Input Plugs

(Order Separately)

USA: RPA

Europe: RPE

UK: RPK

Australia: RPS

DC Output Cord/Connector

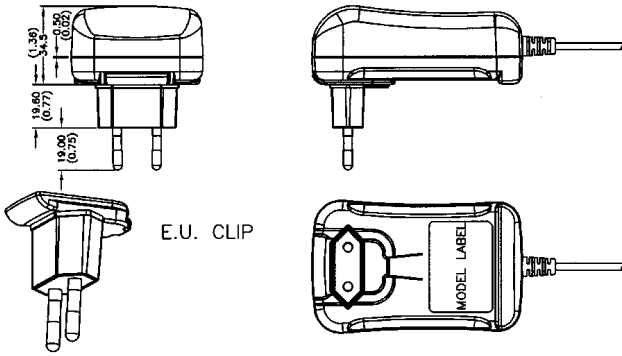
1.8meter

2.1mm x 5.5mm x 10mm Coaxial

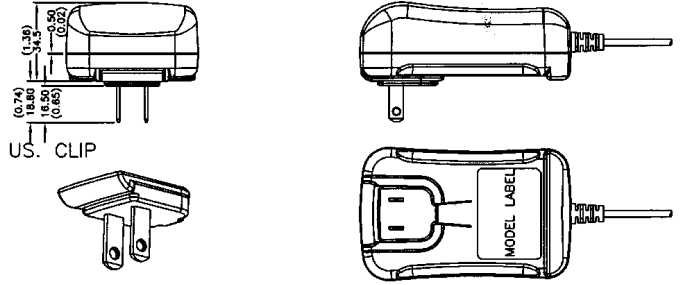
Plug; Center Positive Standard

PSA11R Dimension Diagram Unit: mm (inch)

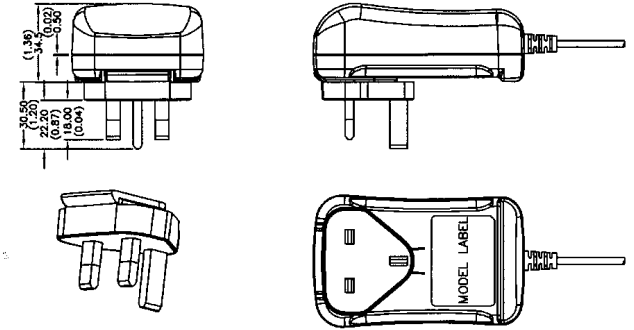
ASSEMBLY FROM HOUSING AND E.U. CLIP



ASSEMBLY FROM HOUSING AND US. CLIP



ASSEMBLY FROM HOUSING AND U.K. CLIP



ASSEMBLY FROM HOUSING AND AUST CLIP

